

HAMMER PLUG FH-FI-FG SERIES

FH (Mushroom head)



FI (Countersunk head)



FG (Round head)



Generalità

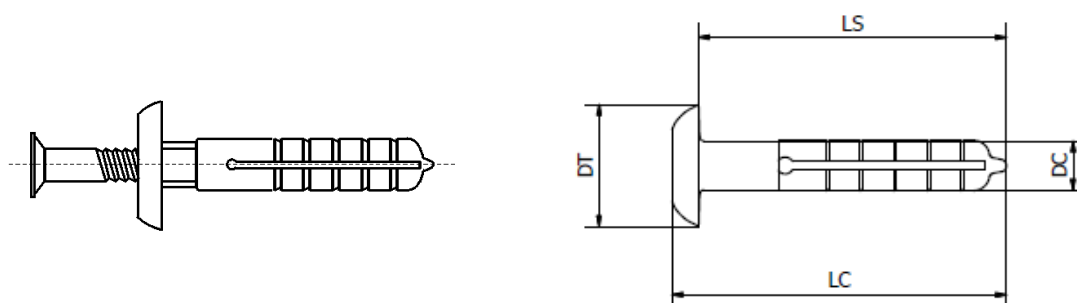
The percussion fixings FH, FG and FI are divided into three families according to the shape of the head that is respectively rounded, countersunk and reduced. The head of the nail is made with cross cut and PZ imprint. The quality of the plastic materials used, nylon PA6 and galvanized screws (thickness of galvanization equal to 3-5 m) make its use very reliable over time, even in particularly critical environmental conditions.

Material

PA6 - Polyamide PA6.

Plug Dimensions

PLUG DIMENSIONS MUSHROOM HEAD - FH

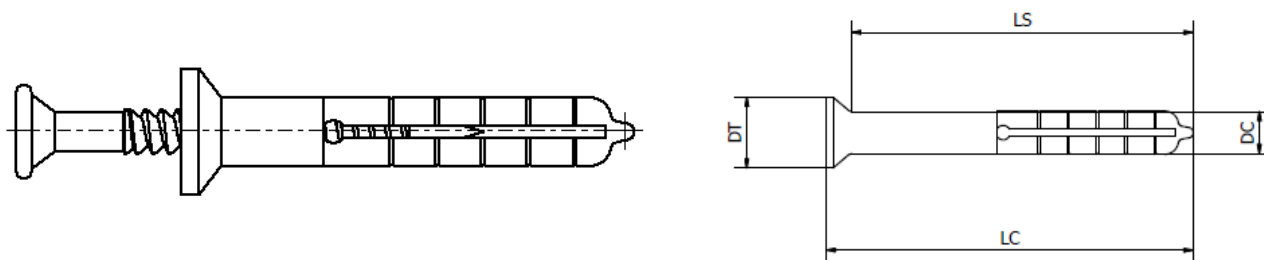


Refs.	Toll.	FH6X40	FH6X50	FH6X60	FH6X70	FH6X80	FH8X45	FH8X60	FH8X75	FH8X100	FH8X120	FH8X135
DT	± 0.25	10	10	10	10	10	11	11	11	11	11	11
DC	± 0.25	6	6	6	6	6	8	8	8	8	8	8
LC	± 1.00	40	50	60	70	80	45	60	75	100	120	135
LS	± 1.00	37	47	57	67	77	42	57	72	97	117	132
FIXING THICKNESS		10	20	30	40	50	5	20	35	60	80	95
MINIMUM DEPTH OF DRILLING		45	55	65	75	85	50	65	80	105	125	140

Note: All dimensions are in millimeters unless otherwise stated.



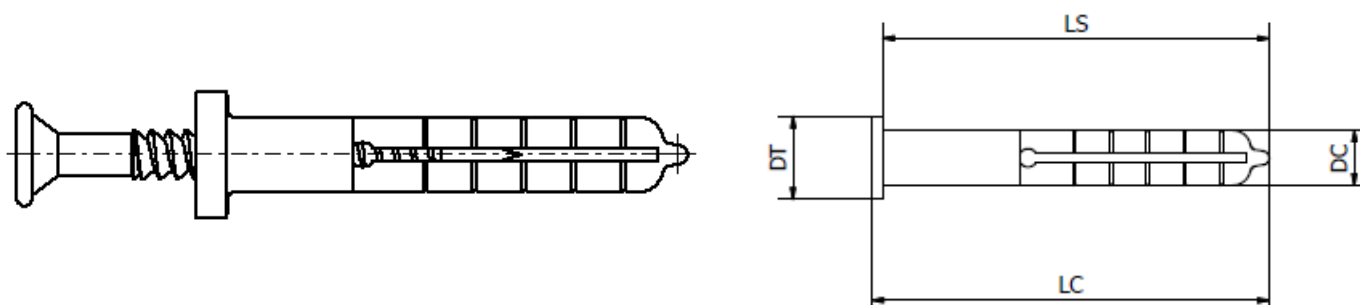
PLUG DIMENSIONS COUNTERSUNK HEAD FI



Refs.	Toll.	FI6X40	FI6X50	FI6X60	FI6x80	FI8x45	FI8x60	FI8x80	FI8x100	FI8x120	FI8x140
DT	± 0.25	10	10	10	10	11	11	11	11	11	11
DC	± 0.25	6	6	6	6	8	8	8	8	8	8
LC	± 1.00	40	50	60	80	45	60	80	100	120	140
LS	± 1.00	36	46	56	76	41	56	76	96	116	136
FIXING THICKNESS		10	20	30	50	5	20	35	60	80	95
MINIMUM DEPTH OF DRILLING		45	55	65	85	50	65	80	105	125	140

Note: All dimensions are in millimeters unless otherwise stated.

PLUG DIMENSIONS ROUND HEAD FG



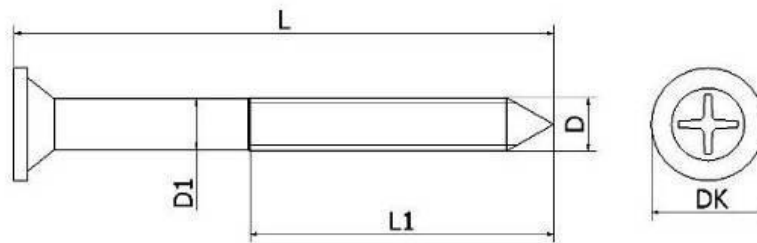
Refs.	Toll.	FG6X40	FG6X50	FG6X60	FG6x80	FG8x45	FG8x60	FG8x80	FG8x100	FG8x120	FG8x140
DT	± 0.25	10	10	10	10	11	11	11	11	11	11
DC	± 0.25	6	6	6	6	8	8	8	8	8	8
LC	± 1.00	40	50	60	80	45	60	80	100	120	140
LS	± 1.00	38	48	58	78	42	57	77	97	117	137
FIXING THICKNESS		10	20	30	50	5	20	35	60	80	95
MINIMUM DEPTH OF DRILLING		45	55	65	85	50	65	80	105	125	140

Note: All dimensions are in millimeters unless otherwise stated.



Nail Dimensions

NAIL DIMENSIONS



Nail		3.9x40	3.9x50	3.9x60	3.9x70	5x45	5x60	5x75	5x100	5x120	5x135
Plug		6x40	6x50	6x60	6x70	8x45	8x60	8x75	8x100	8x120	8x135
D	± 0.10	3.90	3.90	3.90	3.90	5.00	5.00	5.00	5.00	5.00	5.00
D1	± 0.10	3.40	3.40	3.40	3.40	4.50	4.50	4.50	4.50	4.50	4.50
DK	± 0.30	8.20	8.20	8.20	8.20	10.50	10.50	10.50	10.50	10.50	10.50
L	+ 0.00 - 1.05	40.00	50.00	60.00	70.00	45.00	60.00	75.00	100.00	120.00	135.00
L1	± 1.00	32.00	32.00	32.00	32.00	42.00	42.00	42.00	42.00	42.00	42.00
Taglio		PZ2	PZ2	PZ2	PZ2	PZ2	PZ2	PZ2	PZ2	PZ2	PZ2

Note: All dimensions are in millimeters unless otherwise stated.

Benefits

- Zinc-plated nail resistant to oxidation and to environmental agents.
- Wide range of temperatures (between -40°C and +80°C).
- Fast and easy installation

Applications

- Concrete.
- Solid bricks.
- Hollow wall.
- Able to fix metal profiles for plasterboards, wooden and metal substructures, panels and light plates

Packaging information

Packaging	DCxLC	DxL Nail	Pcs/Box	Box/Carton	Carton/Pallet
Box	6x40	3,9x40	200	24	12
	6x50	3,9x50	100	24	12
	6x60	3,9x60	100	24	12
	6x70	3,9x70	100	24	12
	8x45	5x45	100	24	12
	8x60	5x60	50	24	12
	8x75	5x75	50	24	12
	8x100	5x100	50	24	12
	8x120	5x120	50	24	12
	8x135	5x135	50	24	12
Bulk	6x40	3,9x40	5.000	Conf. Ind.	24
	6x50	3,9x50	4.000	Conf. Ind.	24
	6x60	3,9x60	3.000	Conf. Ind.	24
	6x70	3,9x70	2.500	Conf. Ind.	24
	8x45	5x45	2.300	Conf. Ind.	40
	8x60	5x60	1.800	Conf. Ind.	40
	8x75	5x75	1.500	Conf. Ind.	40
	8x100	5x100	1.200	Conf. Ind.	40
	8x120	5x120	1.000	Conf. Ind.	40
	8x135	5x135	1.000	Conf. Ind.	40

Note: All dimensions are in millimeters unless otherwise stated.

Loads

MECHANICAL STRENGTH [kN]		
DCxLC	DxL Nail	Tensile strength on concrete R250
6x40	3.9x40	0,4
6x50	3.9x50	0,4
6x60	3.9x60	0,4
6x70	3.9x70	0,6
8x45	5x45	0,6
8x60	5x60	1,6
8x75	5x75	1,6
8x100	5x100	1,6
8x120	5x120	1,6
8x135	5x135	1,6

Note: 1 kN=100 kgf

* *Values obtained from tests carried out at the certified laboratory "Istituto Giordano S.p.A.".

The remaining values are mean values obtained from internal tests.

All dimensions are expressed in millimeters, unless otherwise stated.



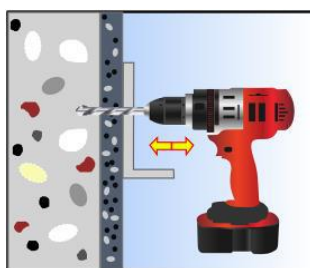
WE RECOMMEND USING APPROPRIATE SAFETY COEFFICIENTS.

Installation

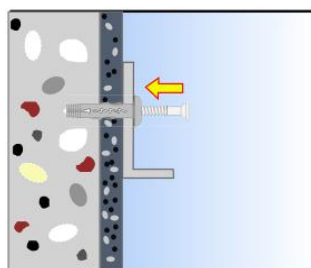
It is recommended to use the different types of plugs according to these criteria:

- Mushroom head for installation on slotted holes.
- Countersunk head for installation on wood.
- Round head for metal profiles.

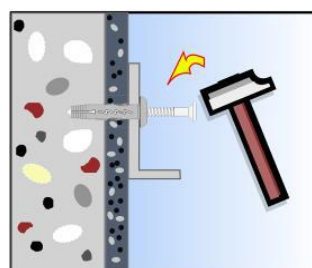
1. Drilling



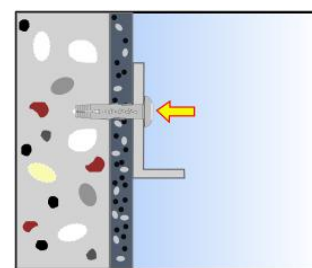
2. Plug insertion



3. Blow



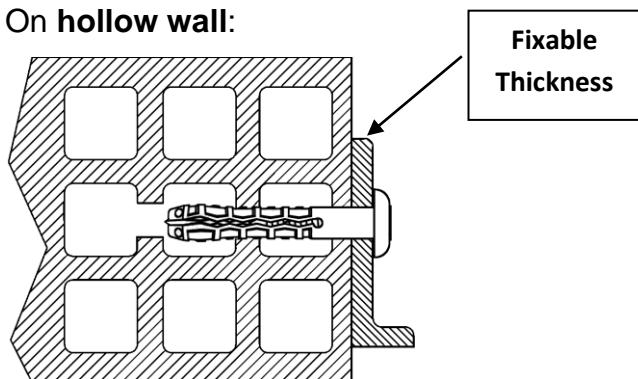
4. Fixing



DCxLC	Hole Ø	Fixable Thickness
5x27	5.00	5.00
6x30	6.00	5.00
6x37	6.00	10.00
6x40	6.00	10.00
6x50	6.00	20.00
6x60	6.00	30.00

Note: All dimensions are expressed in millimeters, unless otherwise stated.

On hollow wall:



On concrete:

