

**FAVP – Hammer fixing with high performances composite polymer nail**



**General details:**

Brand new nylon plug with domed head and a hammer pre-assembled nail made from composite thermoplastic and glass fiber.

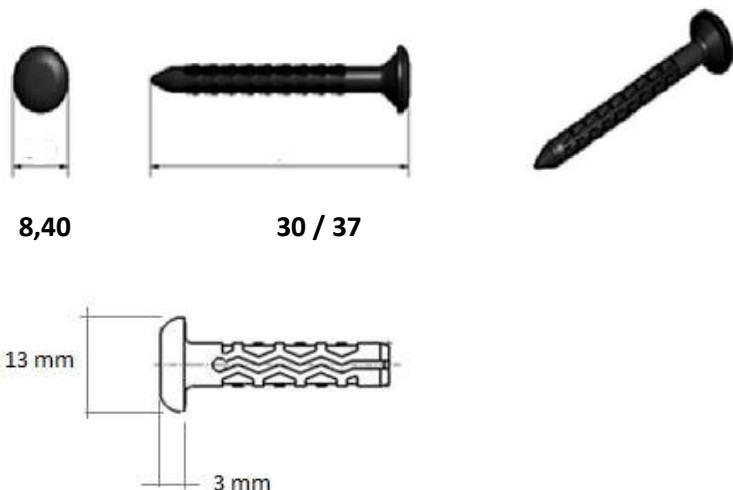
Designed for wet environments and/or salt sprays it was created to solve the problem of oxidation of fixings metal parts.

Perfect to fix gutters. Available in brown for copper tinsmithing.

Code	Measurement (D x L) mm	Hole diameter mm	Nail (D x L) mm	Nail material	Color	Pieces x box	Boxes x carton	Cartons x pallet
FAV6X30P	6x30	6	3.5x30	PA6 – Composite fiber	Grey body RAL 7035 – Grey nail RAL 7035	200	24	36
FFAV6X30P	6x30	6	3.5x30	PA6 – Composite fiber	Brown body RAL 8019 – Black nail RAL 9005	200	24	36
FAV6X37P	6X37	6	3,5X37	PA6 – Composite fiber	Grey body RAL 7035 – Grey nail RAL 7035	200	24	36
FFAV6X37P	6X37	6	3,5X37	PA6 – Composite fiber	Brown body RAL 8019 – Black nail RAL 9005	200	24	36



**FAVP – Hammer fixing with high performances composite polymer nail**



Materials and technical details:

Plug body: polyamide

Nail: fiber-composite polyamide PA6

MECHANICAL STRENGTH [kN]			
D x L	D x L NAIL	TRACTION RESISTANCE R250 CONCRETE	TRACTION RESISTANCE HOLLOW BRICK
6x30	3.9x30	0.275	0.225
6x37	3.9x36	0.28	0.23

Note: 1 kN=100kgf

\*measures obtained in our test location.

\*\* dimensions are always expressed in millimeter if not otherwise specified.

**Attention! A large safety coefficient is to be applied to these measures.**

## **FAVP – Hammer fixing with high performances composite polymer nail**

### **Advantages:**

- Easy and quick installation
- High sturdiness
- High oxidation and weathering resistance
- Highly recommended for salt weathers

### **Applications:**

- Solid masonry
- Outdoor use, tinsmithery
- Indoor use, electric systems

### **Installation:**

- Drill a hole with a correct diameter
- Insert the plug
- Hammer the nail with a hammer

### **Installation scheme:**

